

PLEASE CHECK WWW.MOLEX.COM FOR LATEST PART INFORMATION

Part Number: [0015474037](#)
Status: **Active**
Overview: [cgrid_sl_products](#)
Description: 2.54mm (.100") C-Grid SL™ Single Row, Female, Version G Receptacle, 3 Circuits

Documents:

[3D Model](#) [Product Specification PS-70430 \(PDF\)](#)
[Drawing \(PDF\)](#) [RoHS Certificate of Compliance \(PDF\)](#)

Agency Certification

CSA LR19880
 UL E29179

General

Product Family FFC/FPC Connectors
 Series [70430](#)
 Overview [cgrid_sl_products](#)
 Product Name SL™

Physical

Circuits (Loaded) 3
 Color - Resin Black
 Contact Position N/A
 Durability (mating cycles max) 50
 Entry Angle Vertical
 Flammability 94V-0
 Material - Metal Phosphor Bronze
 Material - Plating Mating Gold
 Material - Plating Termination Tin
 Material - Resin Polyester Alloy
 Number of Rows 1
 Orientation Vertical
 PC Tail Length (in) 0.130 In
 PC Tail Length (mm) 3.30 mm
 PCB Retention None
 PCB Thickness Recommended (in) 0.062 In, 0.093 In
 PCB Thickness Recommended (mm) 1.60 mm, 2.40 mm
 Packaging Type Tube
 Pitch - Mating Interface (in) 0.100 In
 Pitch - Mating Interface (mm) 2.54 mm
 Pitch - Term. Interface (in) 0.100 In
 Pitch - Term. Interface (mm) 2.54 mm
 Plating min: Mating (µin) 30
 Plating min: Mating (µm) 0.75
 Plating min: Termination (µin) 75
 Plating min: Termination (µm) 1.875
 Polarized to PCB N/A
 Stackable Yes
 Temperature Range - Operating -40°C to +105°C
 Termination Interface: Style IDT or Pierce
 Wire/Cable Type FFC/FPC

Electrical

Current - Maximum per Contact 1A, 2A
 Voltage - Maximum 250V

Material Info



image - Reference only

EU RoHS

**ELV and RoHS
 Compliant
 REACH SVHC
 Contains SVHC: No
 Halogen-Free
 Status**

China RoHS



Not Halogen-Free

Need more information on product environmental compliance?

Email productcompliance@molex.com
 For a multiple part number RoHS Certificate of Compliance, [click here](#)

Please visit the [Contact Us](#) section for any non-product compliance questions.

Search Parts in this Series

[70430Series](#)

Mates With

C-Grid® locking headers and panel mounts

Application Tooling | FAQ

Tooling specifications and manuals are found by selecting the products below. Crimp Height Specifications are then contained in the Application Tooling Specification document.

Global

| Description | Product # |
|--|----------------------------|
| Manual Ribbon Cable Cutter Hand Tool | 0638170100 |
| Tool Kit for Standard Manual Press for FFC | 0622007400 |
| Standard Manual Press for FFC | 0622007800 |
| TM-42™ FFC and SL™ Termination Kit | 0622018700 |
| TM-42™ FFC and SL™ Press and Termination Kit for 110v applications | 0622020800 |

Old Part Number

70430-0492

Reference - Drawing Numbers

Product Specification

PS-70430

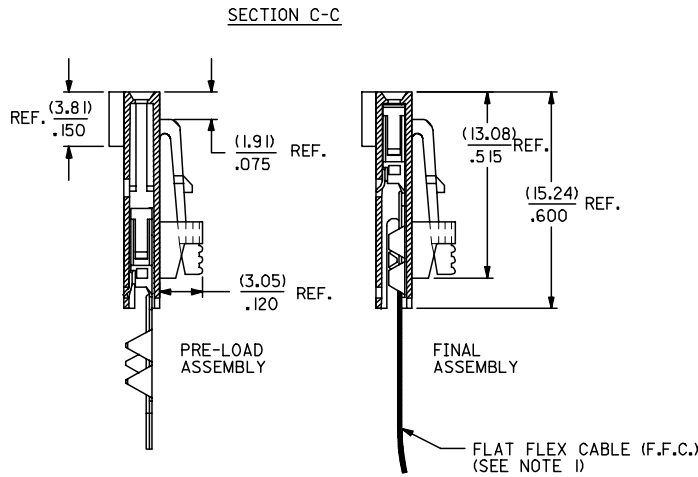
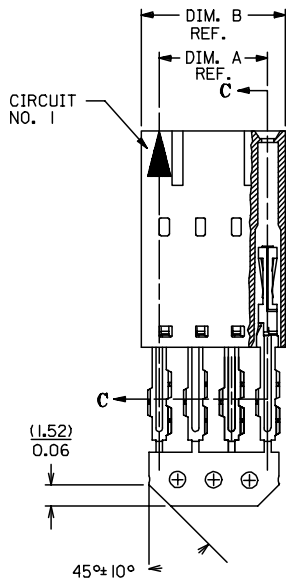
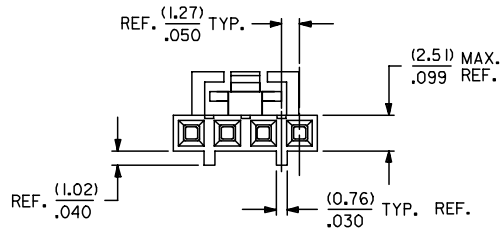
Sales Drawing

SDA-70430-0491-0514

This document was generated on 05/18/2010

PLEASE CHECK WWW.MOLEX.COM FOR LATEST PART INFORMATION

"G" - OPTION



NOTES:

- 1) PRE LOADED ASSEMBLY TO BE USED WITH (0.30)/.012 MAX. THICK FLAT FLEX CABLE WITH (1.57)/.062 WIDE COPPER CONDUCTORS ON (2.54)/.100 CENTERS OR, (0.13)/.005 - (0.28)/.011 THICK MYLAR WITH (1.02)/.040 - (1.65)/.065 WIDE SILVER INK CONDUCTORS ON (2.54)/.100 CENTERS.
- 2) STANDARD PACKING PER PK70873-0001 SHALL BE USED.
- 3) SEE CHART FOR CIRCUIT SIZES, 'A' AND 'B' DIMENSIONS.
- 4) TWO (2) CIRCUIT ASSEMBLIES SUPPLIED AS GROUPED PAIRS.
- 5) PART MATES WITH (0.64)/.025 SQ. PINS, (8.13)/.320 TO (5.08)/.200 LONG ON (2.54)/.100 CENTERS.
- 6) REFER TO SDA-70430-**** (SHEET 3) FOR MINOR VARIATIONS TO "G" OPTION HOUSINGS.
- 7) PARTS CONFORM TO CLASS B OF COSMETIC SPECIFICATION PS-45499-002.

| CKT. SIZE | EDP. NO. | ENG. NO. | A | B |
|-----------|-------------|------------|------------------|------------------|
| 2 | 015-47-4027 | 70430-0491 | (2.54) .100 | (5.05) .199 |
| 3 | 015-47-4037 | 70430-0492 | (5.08) .200 | (7.59) .299 |
| 4 | 015-47-4047 | 70430-0493 | (7.62) .300 | (10.13) .399 |
| 5 | 015-47-4057 | 70430-0494 | (10.16) .400 | (12.67) .499 |
| 6 | 015-47-4067 | 70430-0495 | (12.70) .500 | (15.21) .599 |
| 7 | 015-47-4077 | 70430-0496 | (15.24) .600 | (17.75) .699 |
| 8 | 015-47-4087 | 70430-0497 | (17.78) .700 | (20.29) .799 |
| 9 | 015-47-4097 | 70430-0498 | (20.32) .800 | (22.83) .899 |
| 10 | 015-47-4107 | 70430-0499 | (22.86) .900 | (25.37) .999 |
| 11 | 015-47-4117 | 70430-0500 | (25.40) 1.000 | (27.91) 1.099 |
| 12 | 015-47-4127 | 70430-0501 | (27.94) 1.100 | (30.45) 1.199 |
| 13 | 015-47-4137 | 70430-0502 | (30.48) 1.200 | (32.99) 1.299 |
| 14 | 015-47-4147 | 70430-0503 | (33.02) 1.300 | (35.53) 1.399 |
| 15 | 015-47-4157 | 70430-0504 | (35.56) 1.400 | (38.07) 1.499 |
| 16 | 015-47-4167 | 70430-0505 | (38.10) 1.500 | (40.61) 1.599 |
| 17 | 015-47-4177 | 70430-0506 | (40.64) 1.600 | (43.15) 1.699 |
| 18 | 015-47-4187 | 70430-0507 | (43.18) 1.700 | (45.69) 1.799 |
| 19 | 015-47-4197 | 70430-0508 | (45.72) 1.800 | (48.23) 1.899 |
| 20 | 015-47-4207 | 70430-0509 | (48.26) 1.900 | (50.77) 1.999 |
| 21 | 015-47-4217 | 70430-0510 | (50.80) 2.000 | (53.31) 2.099 |
| 22 | 015-47-4227 | 70430-0511 | (53.34) 2.100 | (55.85) 2.199 |
| 23 | 015-47-4237 | 70430-0512 | (55.88) 2.200 | (58.39) 2.299 |
| 24 | 015-47-4247 | 70430-0513 | (58.42) 2.300 | (60.93) 2.399 |
| 25 | 015-47-4257 | 70430-0514 | (60.96) 2.400 | (63.47) 2.499 |

HOUSING MATERIAL: GLASS FILLED POLYESTER, UL 94V-0.
 TERMINAL MATERIAL: PHOSPHOR BRONZE
 PLATING: 30 GOLD - .000030 MINIMUM
 .000075 MINIMUM
 .000050 MINIMUM
 GOLD PLATE IN SELECT AREA,
 TIN PLATE IN SELECT AREA,
 NICKEL PLATE OVER-ALL.

| CONTACT PLATING | COLOR CODE |
|-----------------|------------|
| TIN | NONE |
| 15 GOLD | YELLOW |
| 30 GOLD | RED |

| | | | | | | | | |
|---|-------------------------------|--|--------------------|--------------------------|---|--------------|----------------------|------------------------|
| ADD TOLERANCE FC NO: UCP2007-2849 DRAWN: JORGAN 2007/05/18 CHKD: MS BARRA 2007/05/21 APPR: SMILLER 2007/05/21 REV: | QUALITY SYMBOLS ▽=0 ▽=0 | GENERAL TOLERANCES (UNLESS SPECIFIED) | | DIMENSION STYLE MM/IN | | SCALE 4:1 | DESIGN UNITS INCH | THIRD ANGLE PROJECTION |
| | | 4 PLACES ± --- ± --- 3 PLACES ± --- ± .010 2 PLACES ± 0.25 ± .015 1 PLACE ± 0.38 ± --- ANGULAR ±1/2° | DRAWN BY RAS | DATE 1986/07/21 | TITLE ASSEMBLY, CONNECTOR FFC FEMALE SINGLE ROW (2.54)/.100 GRID | | | |
| | | DRAFT WHERE APPLICABLE MUST REMAIN WITHIN DIMENSIONS | CHECKED BY MJM | DATE 1986/07/21 | MOLEX INCORPORATED | | | |
| | | SEE TABLE | APPROVED BY WAZ | DATE 1986/07/21 | MATERIAL NO. SDA-70430-0491-0514 | DOCUMENT NO. | SHEET NO. 1 OF 1 | |